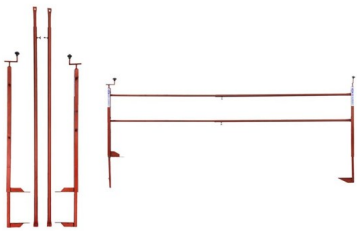
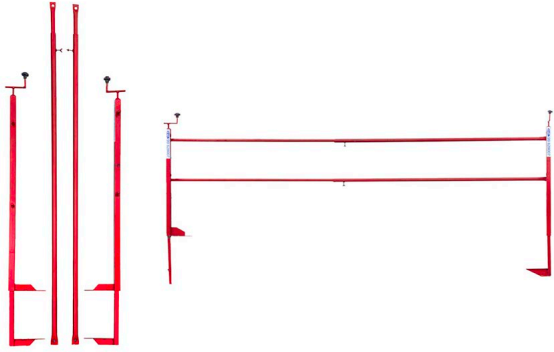


## Stairs, Verandas and Roof Protectors





Our company has designed and built a new pioneering product for reliable safety at your workplace.

Rating: Not Rated Yet  
[Ask a question about this product](#)

Description

Stair, verandas and roof protectors are made of steel there easy to transport assemble quickly without any difficulty.

With the stair and roof protectors you can prevent any workplace accidents, keeping your workers safe. Also with verandas protectors you can avoid a large cost of scaffolding. For us, Health & Safety plays a leading role that's why we have built this new leading tool.

**Dimensions**

**Height Folding Column**            Maximum  
   height 1.85cm

   Minimum  
   height 1.35cm

**Pipes**                                Required  
   protection  
   height 1.10cm  
   1.00cm folding  
   1.70cm

26mm-32mm                                 
   1.50cm folding  
26mm-32mm                                2.20cm

26mm-32mm 2.00cm folding  
   2.50cm

**Weight**                                1.4kg pipe  
   1.00cm

   2.3kg pipe  
   1.50cm

   2.8kg pipe  
   2.00cm

